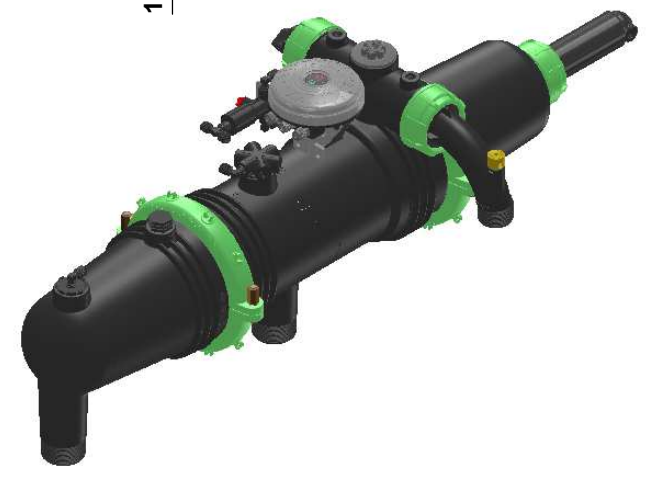
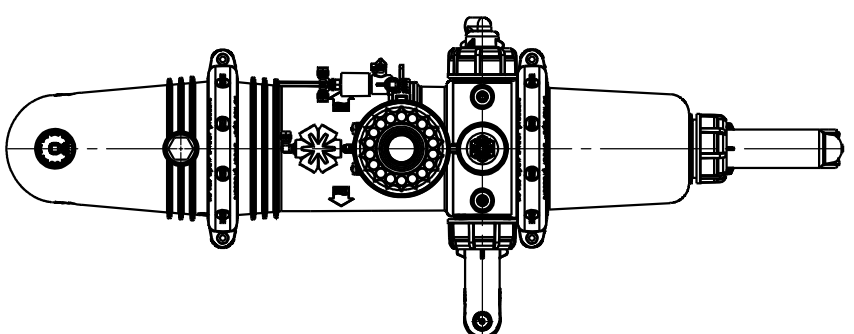
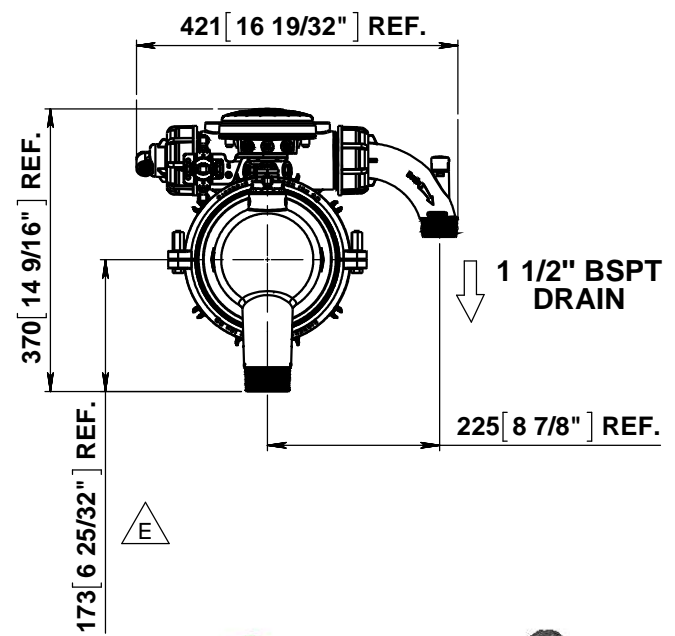
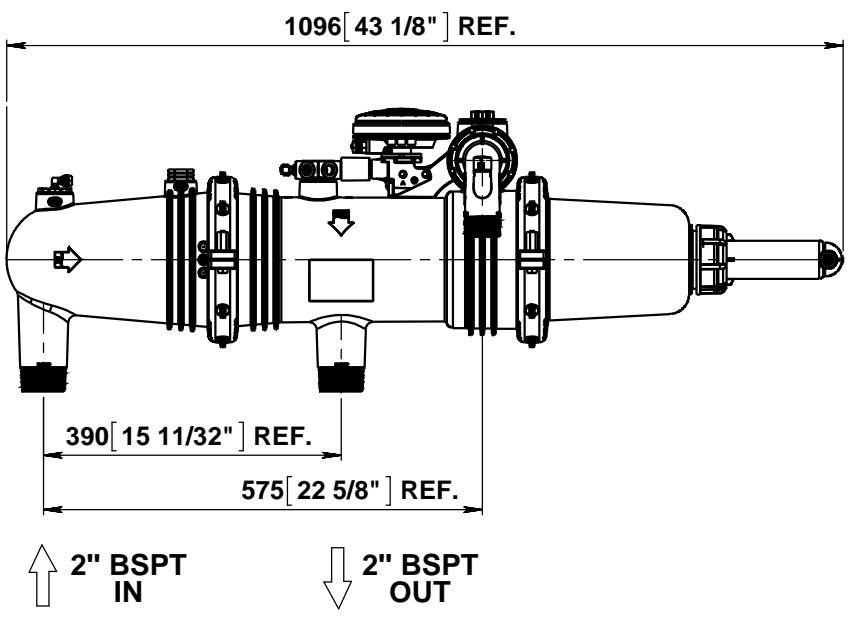


8 7 6 5 4 3 2 1

F



Mini Sigma Filters Amiad, Online Orders and Technical support.
www.irrigationglobal.com.

UNLESS OTHERWISE SPECIFIED: DIMENSIONS ARE IN MILLIMETERS			PART NAME/TITLE: 2" ON LINE MINI SIGMA BSP 130M MOLD										
<table border="1"> <thead> <tr> <th>NAME</th> <th>DATE</th> </tr> </thead> <tbody> <tr> <td>DRAWN ELENA</td> <td>25/06/2017</td> </tr> <tr> <td>CHECKED MARINA</td> <td>12/07/2017</td> </tr> <tr> <td>APPROVED EYAL</td> <td>12/07/2017</td> </tr> </tbody> </table>			NAME	DATE	DRAWN ELENA	25/06/2017	CHECKED MARINA	12/07/2017	APPROVED EYAL	12/07/2017	SUBJECT/PROJECT: 2" ON LINE MINI SIGMA BSP 130M MOLD		DRY WEIGHT: 11 KG
NAME	DATE												
DRAWN ELENA	25/06/2017												
CHECKED MARINA	12/07/2017												
APPROVED EYAL	12/07/2017												
MATERIAL:			CAT. NO: 055000-000001		WET WEIGHT: KG								
<small>Confidential property information. Amiad Water Systems Ltd. Reserves the rights to make changes. All copy rights reserved to Amiad Water Systems Ltd.</small>			DRW. NO: DRW-0000027536		DRW. REV. E								
			SCALE: 1:7	SIZE: A3	SHEET 1 OF 2								

REV.	DATE	DESCRIPTION	ECO#	NAME
E	22/05/2018	UPDATE DIMENSION		ELENA
C-D	25/04/2018	CHANGING O-RING		ELENA
B	10/08/2017	ADDING COMMAND		ELENA