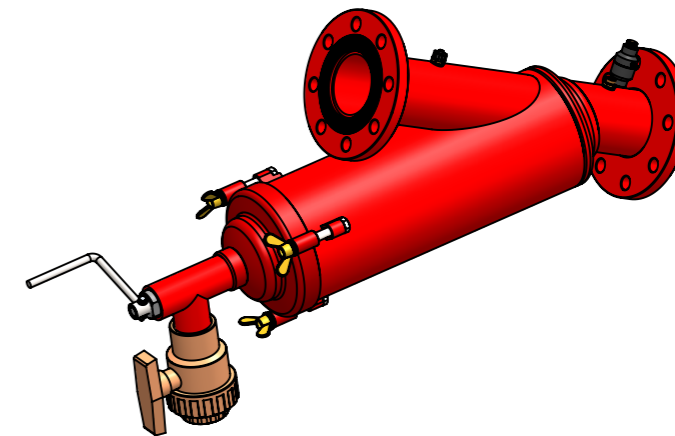
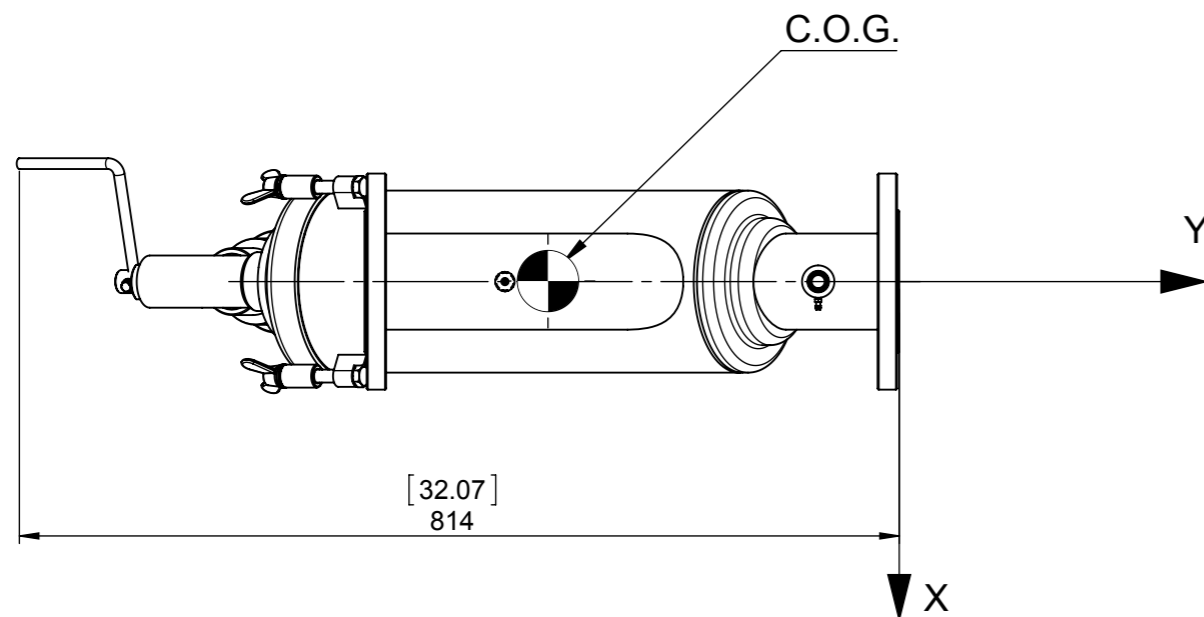


WEIGHT		
POUND	KG	
46	20.8	
VOLUME		
LITER	USG	
25	6.61	
CENTER OF GRAVITY		
AXIS	INCH	MM
X	0.00	0.0
Y	-12.28	-326
Z	-3.78	-96.1



* Approx. space required for maintenance.

NAME	DATE	SUBJECT/PROJECT:	MATERIAL:
Arkady	17.02.2016	3" Brushaway Filter	Various
CHECKED			CAT. NO:
APPROVED	17.02.2016	PART NAME/TITLE:	031001-000014
		3" Brushaway Filter IN/LINE ISO-16 PKPK3002	DRW. NO:
Confidential property information. Amiad Water Systems Ltd. reserves the rights to make changes. All copy rights reserved to Amiad Water Systems Ltd.			031001-000014-GA
			Rev. 0
			SCALE: 1:8 SIZE: A3 SHEET 1 OF 1

REV.	DATE	DESCRIPTION	NAME
1			