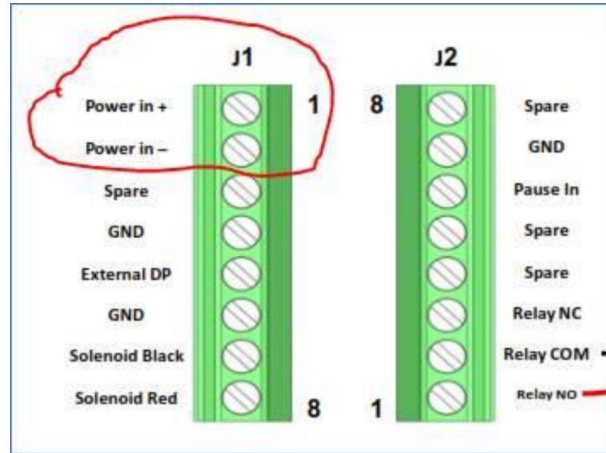
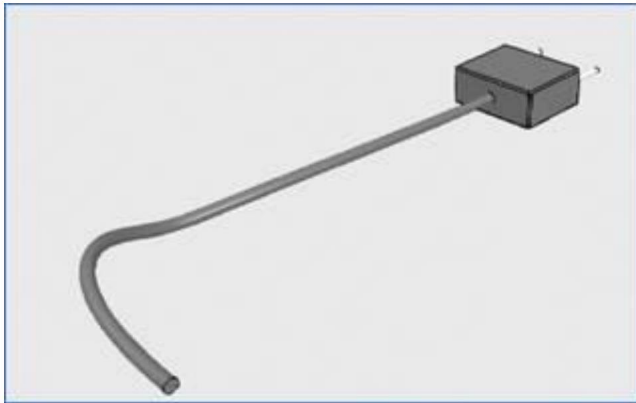


Amiad sap code - 2 available:

720290-000314

720290-000365



power supply.

2 . INPUT CHARACTERISTICS:

2.1 Input Voltage

Rated Input Voltage: 100-240Vac

Variable input voltage : 90V—264Vac

2.2 Input Current: 0.35A max when input rated voltage and output rated load.

3. OUTPUT CHARACTERISTICS:

3.1 Rated Output Power 12W

3.2 (Combined Load/line Regulation)

Voltage	Min. Load	Max Load	Load Regulation	Unload output voltage
+ 12V OA		1A	11.4V-12.7V	12.0V-12.7V