

# Arkal 4" Super Angle Filter

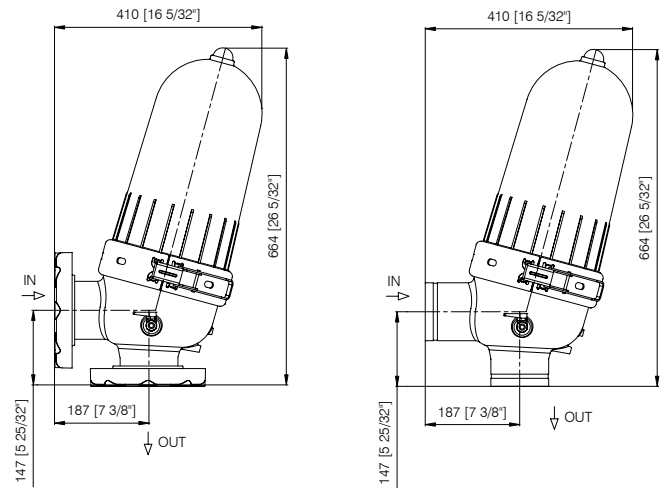
Catalog No. 1410 1 \_ \_ \_ VICTAULIC CONNECTION

1410 5 \_ \_ \_ ARKAL FLANGE (ASA, BSTD, DIN)



## Technical Data

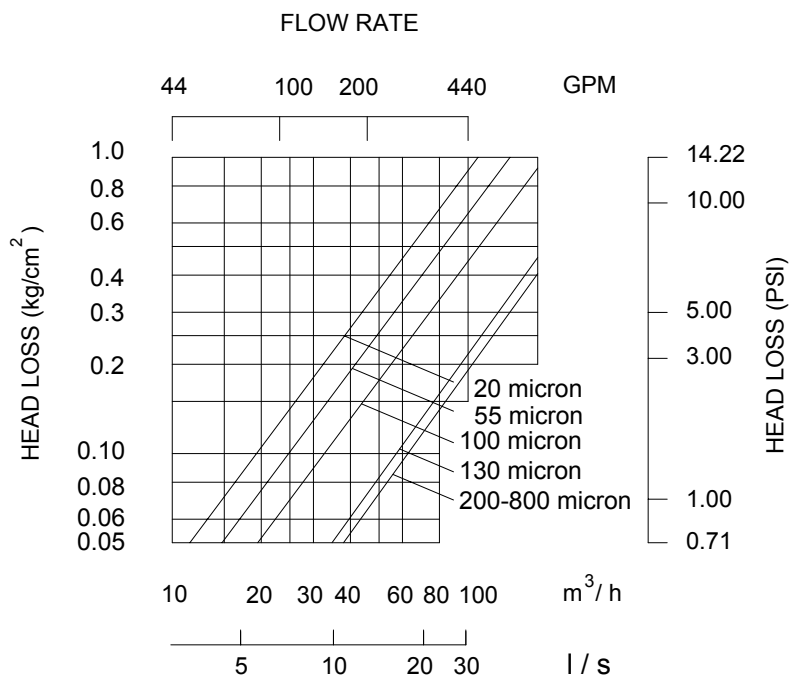
Inlet/outlet diameter	110mm/ 4"	
End connections (optional)	4" Victaulic . 4" ARKAL FLANGE	
Maximum pressure	10 bar	145 psi
Maximum flow rate	90 m <sup>3</sup> /h	396 gpm
Filtration area	1852 cm <sup>2</sup>	287 in <sup>2</sup>
Filtration volume	1744 cm <sup>3</sup>	108 in <sup>3</sup>
Filter length	700 mm	27 <sup>9</sup> / <sub>16</sub> "
Filter width	410 mm	15 <sup>3</sup> / <sub>4</sub> "
Distance between end connections	187 mm	7 <sup>9</sup> / <sub>32</sub> "
Distance between end connections	147 mm	5 <sup>23</sup> / <sub>32</sub> "
Length of filter element	347 mm	13 <sup>21</sup> / <sub>32</sub> "
Weight (victaulic connection)	10.6kg	23.32 lbs
Weight with ARKAL flanges	14.1kg	31.02 lbs
Maximum temperature	60° C	140° F



## Filtration Grades

- Off-white (800 micron / 18 mesh)
- Blue (400 micron / 40 mesh)
- Yellow (200 micron / 80 mesh)
- Red (130 micron / 120 mesh)
- Black (100 micron / 140 mesh)
- Green (55 micron)
- Grey (20 micron)

## Head Loss Chart



### Dismantling (for cleaning)

1. Make sure that the water inlet is turned off and pressure is released.
2. Drain the filter through the drainage valve.
3. Open the cover by pulling the safety pin out and lifting the clamp lever.
4. Remove the filter cover with a slight anticlockwise rotation.
5. Remove the filter element.
6. Release the spine tightening nut.
7. Pull the cap's telescopic extension to decompress the discs.
8. Rinse using a high-pressure water jet.

### Assembly

1. Close the spine tightening nut until the discs are tightly compressed.
2. Position the filter element back in place.
3. Place the filter cover on the filter body and secure it with a slight clockwise rotation.
4. Secure the clamp onto the cover and close using the lever, insert the safety pin.

### Installation

1. The 4" **SUPER ANGLE** filter may be installed horizontally or vertically.
2. A shut off valve should be installed at the filter inlet in order to close water supply for servicing.
3. A small tap with a flexible hose should be connected in front of the shut off valve for manual cleaning of the filter element.

### Comments

Flange: Bolt length – recommended 5/8" 110-120mm. Use standard washers.

### Part List

No.	Cat. No.	Description	Materials
1	2501 0601	Filter cover	PP
2	5005 0004	Hydraulic seal	EPDM
3	5042 0060	Clamp	S.S
4	2506 0302	3"-4" Spine tightening nut	R.PP
5	2506 0304	3"-4" Spine cap	R.PP
6	2033 2_ _ _	Disc set	PP
7	5003 2220	O-ring 2-220	EPDM
8	2502 0302	3"-4" Spine 99	R.PP
9	5054 0212	1/2" x 1/4" Tap	BRASS
10	2140 2_ _ _	3"-4" Filter element	
	2199 0043	3"-4" Spine (without disc set)	
11	2241 1001	4" body complex victaulic ends	
11.1	2241 5001	4" body complex flange ends	
12	2253 0425	4" AK Flange	
12.1	2510 0425	Loose flange	R.P.A
12.2	2507 0402	Cone flange	POM
12.3	5005 2014	4" Gasket style 90	EPDM

### Materials

R.PP. - Reinforced Polypropylene  
R.PA. - Reinforced Polyamide  
S.S. - Stainless Steel  
PP - Polypropylene  
POM- Polyacetal

