



PN16 250 Series Compression Fittings

Product Technical sheet

ABOUT

Plas-fit Series 250 features reliable self-locking grip-ring technology, certified by DVGW for use with drinking Water installations up to PN16.

The fitting comply with the dimensional requirements and characteristics of the following relevant standards:

- EN 712 / 713 / 715 / 911
- ISO 3458 / 3459 / 3501 / 3503 ISO 14236

Application: The fittings are suitable for joining high and low density polyethylene pipes: (PE-HD, PE-LD, PE40, PE63, PE80, PE100)

- EN12201
- ISO 3607/14236
- DIN 8072/8074

FEATURES

- Allows fast and easy installation. without the need to dismantle the nut from the fitting.
 - Robust, corrosion-resistant and resistant to most chemicals.
 - Stands up to tough working conditions, pipe bending and pull-out forces.
 - Complies with the Israeli Institute of standards and by international standards.
- Sizes 40-64mm:
- Features an improved hydraulic seal to dramatically reduce the required insertion force, even without chamfering the pipe.



TECHNICAL SPECIFICATIONS

Working pressure: sizes 16-63: PN16.

sizes 75-110: PN12.5.

Threading: BSP threads are according to ISO7, DIN 2999, BS21.

NPT threads are according to ANSI/ASME B1.20.1.

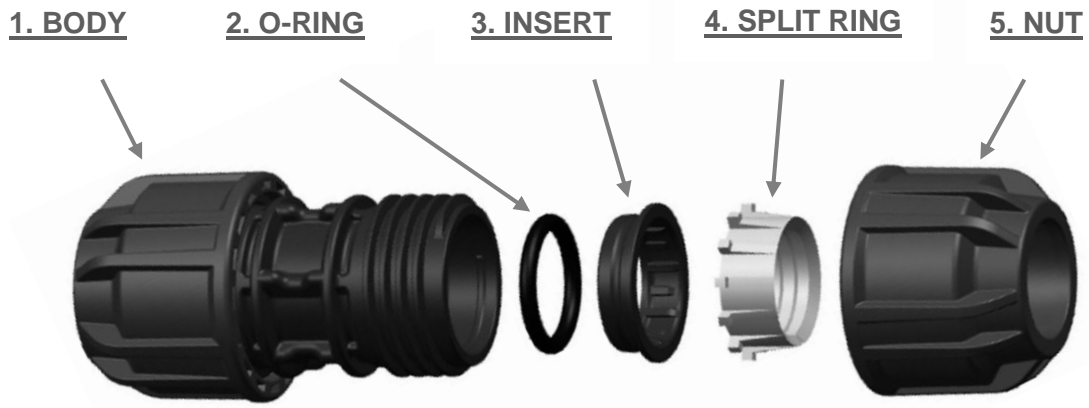
All internal (female) threads smaller than 3" are parallel. All other male and female threads are tapered.

Working temperatures: up to 20°C

[easy plas-fit compression fittings online orders](#)

contact us: koby@irrigationglobal.com

STRUCTURE AND MATERIALS

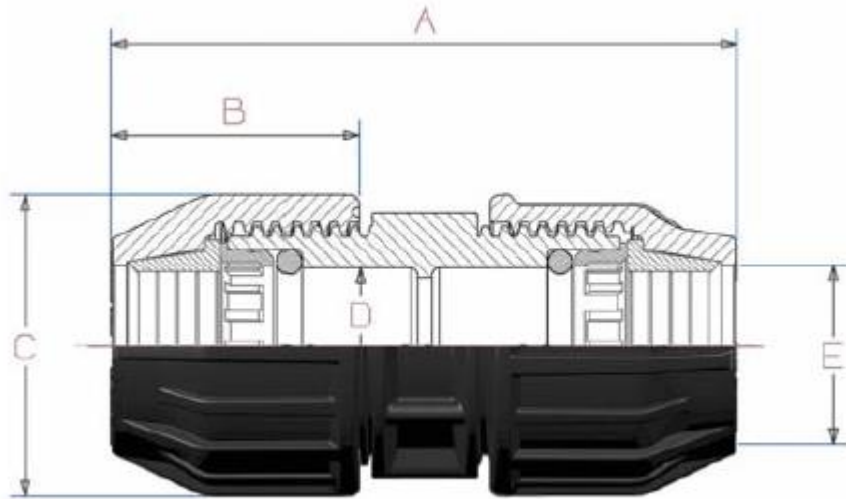


MATERIALS

S	Part	Material	Color
1	Body	Polypropylene	Black
2	O-Ring	NBR	Black
3	Insert	Polypropylene	Black
4	Split Ring	Polyacetal	White
5	Nut	Polypropylene	Black

DIMENSIONS

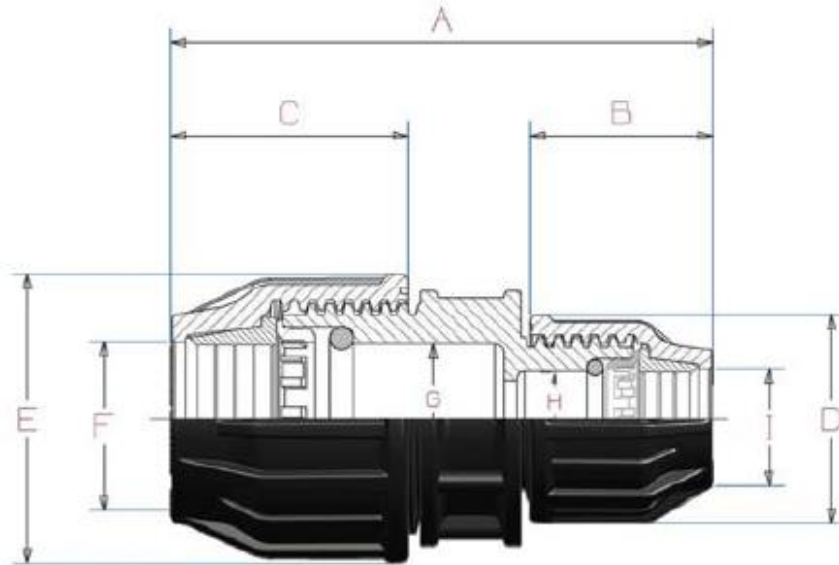
COUPLING



Size	Cat No	A	B	C	D	E	W (gr)
16X16	25016M0016	89.00	35.00	39.25	17.50	17.50	0.45
20X20	25020M0020	104.00	39.50	46.00	22.00	22.20	0.71
25X25	25025M0025	109.00	41.25	52.50	26.50	26.75	0.68
32X32	25032M0032	132.00	51.75	63.75	33.50	34.00	0.154
40X40	25040M0040	146.00	60.75	78.25	41.50	41.50	0.280
50X50	25050M0050	174.00	68.50	92.50	51.50	51.50	0.394
63X63	25063M0063	208.00	82.75	109.00	64.50	64.50	0.817



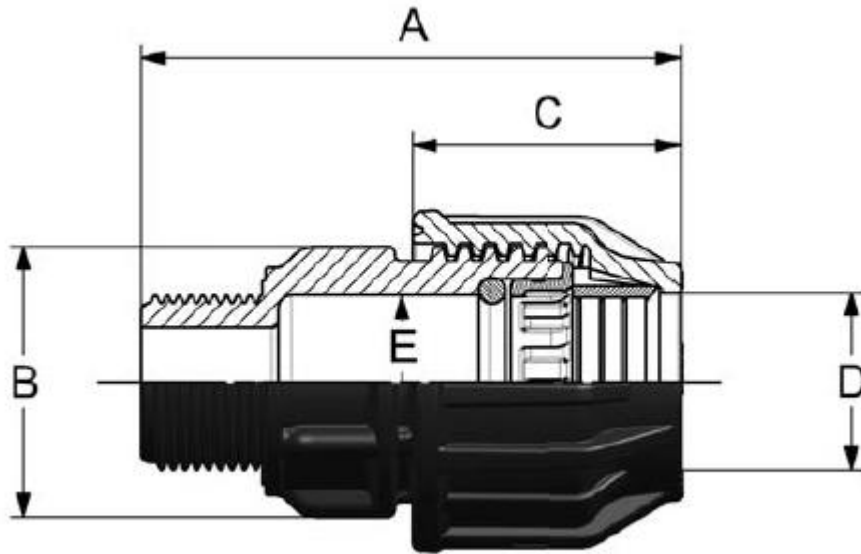
REDUCING COUPLING



Size	Cat No	A	B	C	D	E	F	G	H	I	W (gr)
20X16	25020D0016	99.98	35.00	39.25	39.50	46.00	22.20	22.00	17.50	17.00	0.59
25X16	25025D0016	101.50	35.00	39.25	41.25	52.50	26.75	26.50	17.50	17.00	0.75
25X20	25025D0020	106.48	39.50	46.00	41.25	52.50	26.75	26.50	22.20	21.50	0.85
32X20	25032D0020	120.10	39.50	46.00	51.75	63.75	34.00	33.50	22.20	21.50	0.119
32X25	25032D0025	125.38	41.25	25.50	51.75	63.75	34.00	33.50	26.75	26.50	
40X25	25040D0025	129.75	41.25	52.50	60.75	78.25	41.50	41.50	26.75	26.50	0.195
40X32	25040D0032	140.38	51.75	63.75	60.75	78.25	41.50	41.50	34.00	33.50	
50X32	25050D0032	162.08	51.75	63.75	60.75	78.25	41.50	53.00	34.00	33.50	0.292
50X40	25050D0040	162.70	60.75	78.25	60.75	78.25	41.50	53.00	41.50	42.00	
63X32	25063D0032	169.00	51.75	63.75	82.75	109	64.50	64.50	34.00	33.00	
63X50	25063D0050	193.33	60.75	78.25	82.75	109	64.50	64.50	41.50	52.00	0.528



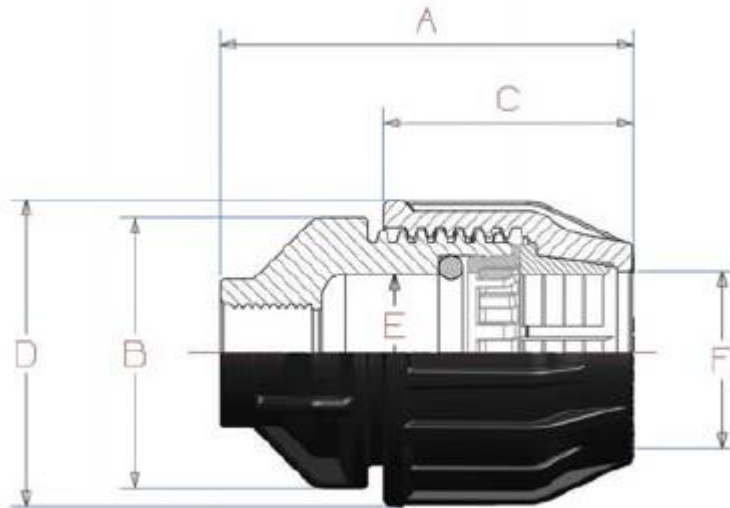
MALE THREADED COUPLING



Size	Cat No	A	B	C	D	E	W (gr)
16x1/2"	25016M0101	70.13	34.00	35.00	17.50	17.50	0.29
16x3/4"	25016M0102	17.88	34.00	35.00	17.50	17.50	0.31
20x1/2"	25020M0101	88.35	41.50	39.50	22.20	21.50	0.42
20x3/4"	25020M0102	88.35	41.00	39.50	22.20	21.50	0.44
20x1"	25020M0103	9.85	42.60	39.50	22.20	21.50	0.46
25x1/2"	25025M0101	92.38	46.00	41.25	26.75	26.50	
25x3/4"	25025M0102	82.63	46.00	41.25	26.75	26.50	0.53
25x1"	25025M0103	84.13	46.00	41.25	26.75	26.50	0.56
32x3/4"	25032M0102	95.25	55.50	51.75	34.00	33.50	0.91
32x1"	25032M0103	95.25	55.50	51.75	34.00	33.50	0.96
32x1 1/2"	25032M0105	99.25	55.50	51.75	34.00	33.50	0.98
40x1"	25040M0103	110.13	69.50	60.75	41.50	42	0.172
40x1 1/2"	25040M0105	109.38	69.75	60.75	41.50	42	0.172
40x2"	25040M0106	112.63	69.00	60.75	41.50	42	0.185
50x1"	25050M0103	129.58	81.25	60.75	41.50	42	0.244
50x1 1/2"	25050M0105	124.08	79.50	60.75	41.50	53	0.236
50x2"	25050M0106	127.08	79.50	60.75	41.50	53	0.245
63x1 1/2"	25063M0105	166.00	98.50	82.75	64.50	65	0.387
63x2"	25063M0106	164.75	97.50	82.75	64.50	65	0.396



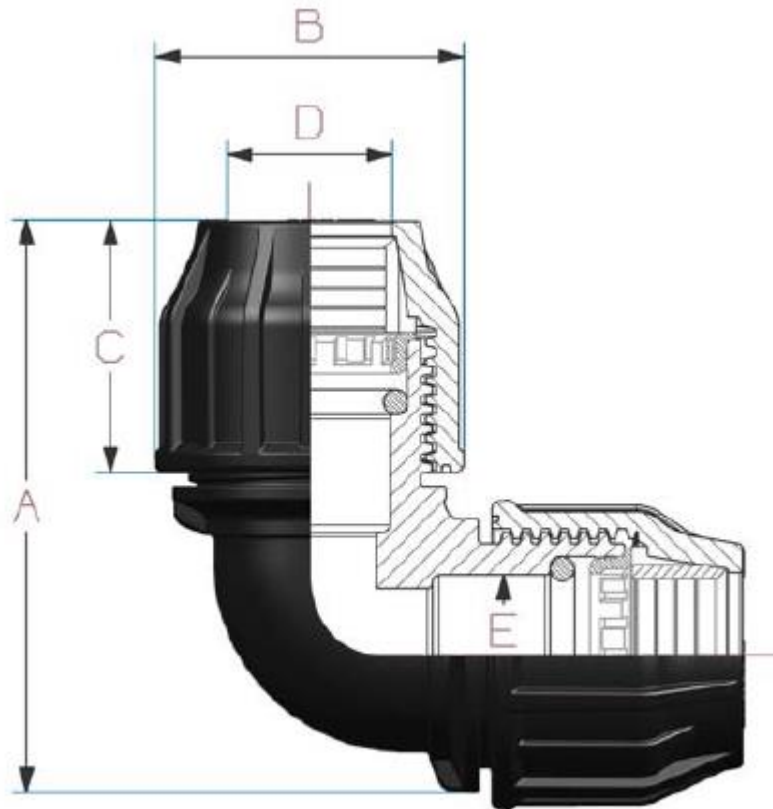
FEMALE THREADED COUPLING



Size	Cat No	A	B	C	D	E	F	W (gr)
16x1/2"	25016M0101	73.88	34.25	35.00	39.25	17.50	17.50	0.28
16x3/4"	25016M0102	72.88	34.25	35.00	39.25	17.50	17.50	0.31
20x1/2"	25020M0101	70.10	40.50	39.50	46.00	22.00	22.20	0.39
20x3/4"	25020M0102	70.35	41.00	39.50	46.00	22.00	22.20	0.41
25x3/4"	25025M0202	73.13	46.50	41.25	52.50	26.50	26.75	0.54
25x1"	25025M0203	77.88	54.00	41.25	52.50	26.50	26.75	0.60
32x3/4"	25032M0202	86.25	56.00	51.75	63.75	33.50	34.00	0.87
32x1"	25032M0203	87.75	56.00	51.75	63.75	33.50	34.00	0.89
40x1"	25040M0203	115.13	70.00	60.75	78.25	41.50	41.50	0.169
40x1 1/2"	25040M0205	106.63	69.00	60.75	78.25	41.50	41.50	0.186
50x1 1/2"	25050M0205	122.33	82.75	68.50	92.50	51.50	51.50	0.223
50x2"	25050M0206	132.58	74.25	68.50	92.50	51.50	51.50	0.240
63x2"	25063M0206	51.50	99.00	82.75	109.00	64.50	64.50	0.365



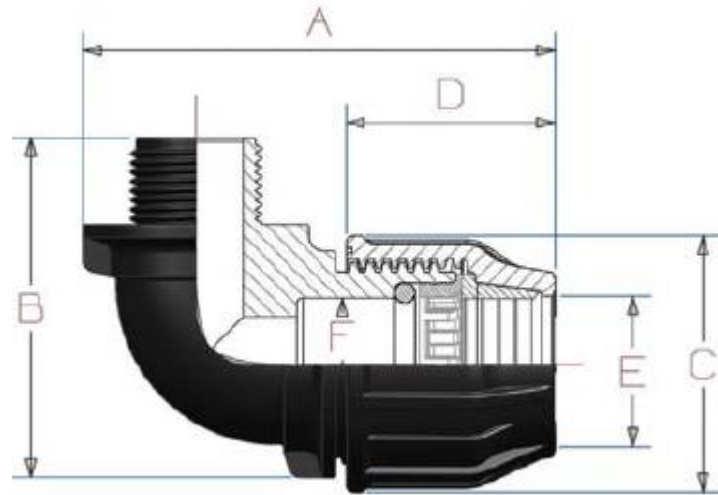
ELBOW



Size (mm)	Cat No	A	B	C	D	E	W (gr)
16X16	25016Z0016	75.13	39.25	35.00	17.50	17.50	0.49
20X20	25020Z0020	87.85	46.00	39.50	22.50	22.00	0.78
25X25	25025Z0025	97.88	52.50	41.25	26.75	26.50	0.105
32X32	25032Z0032	118.25	63.75	51.75	34.00	33.50	0.177
40X40	25040Z0040	140.43	78.25	60.75	41.50	41.50	0.498
50X50	25050Z0050	158.18	92.50	68.50	51.50	51.50	0.627
63X63	25063Z0063	197.00	109.00	82.75	64.50	64.50	0.751



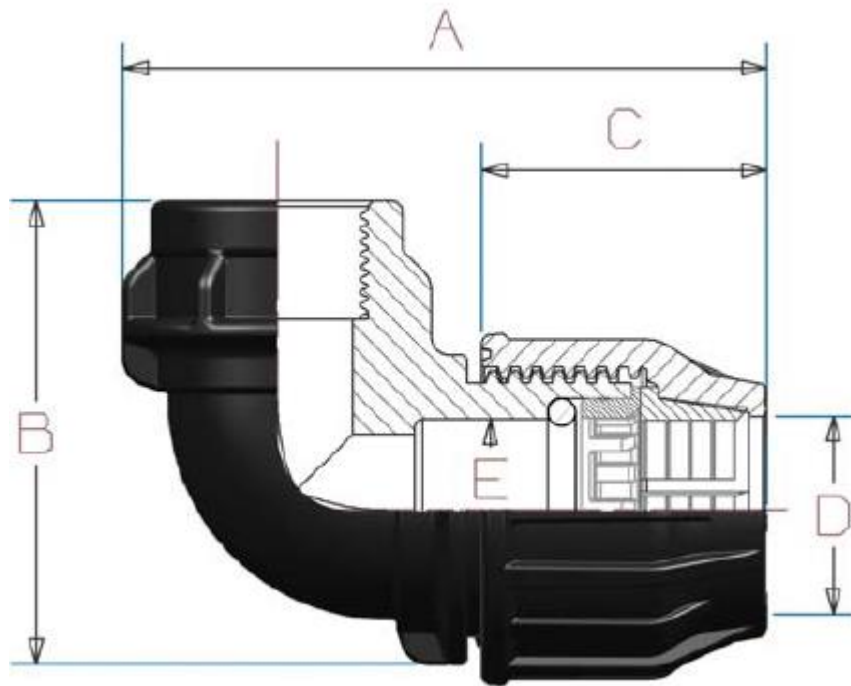
MALE THREADED ELBOW



Size	Cat No	A	B	C	D	E	F	W (gr)
20x1/2"	25020Z0101	85.10	61.25	46.00	39.50	22.50	22.00	0.49
20x3/4"	25020Z0102	88.60	32.75	46.00	39.50	22.50	22.00	0.50
25x1/2"	25025Z0101	89.63	68.75	52.50	39.50	26.75	26.50	0.69
25x3/4"	25025Z0102	90.88	69.25	52.50	41.25	26.75	26.50	
25x1"	25025Z0103	92.93	78.25	52.50	41.25	26.75	26.50	0.60
32x1"	25032Z0103	112.25	83.75	63.75	51.75	34.00	33.50	0.112
40x1 1/2"	25040Z0105	137.13	92.25	78.25	60.75	41.50	41.50	0.194
50x1 1/2"	25050Z0105	152.83	110.75	78.25	60.75	41.50	52.50	0.296
50x2"	25050Z0106	153.33	115.00	78.25	60.75	41.50	52.50	0.293
63x2"	25063Z0106	191.25	133.00	109.00	82.75	64.50	65.00	0.484



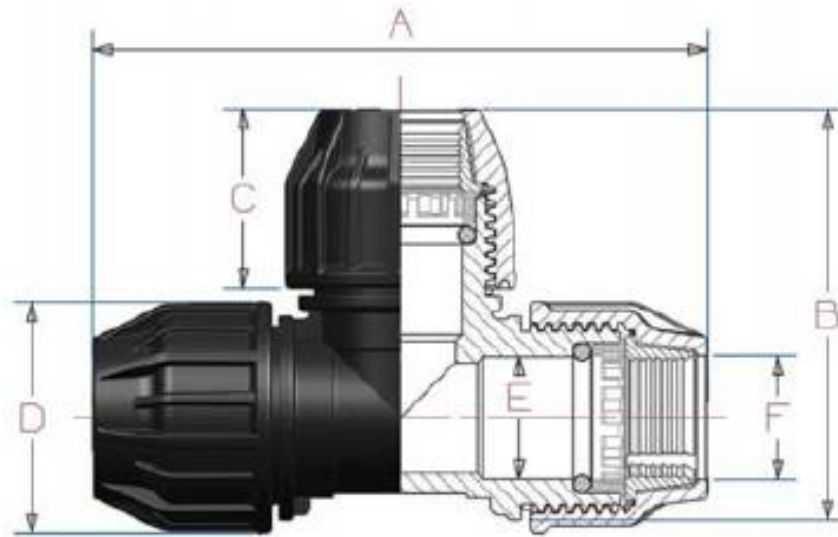
FEMALE THREADED ELBOW



Size	Cat No	A	B	C	D	E	W (gr)
20x1/2"	25020Z0201	91.35	68.25	39.50	22.20	22.00	0.41
20x3/4"	25020Z0202	91.35	67.50	39.50	22.20	22.00	0.62
25x3/4"	25025Z0202	103.88	74.25	41.25	26.75	26.50	0.63
25x1"	25025Z0203	92.38	74.75	41.25	26.75	26.50	0.61
32x3/4"	25032Z0202	121.25	80.00	51.75	34.00	33.50	0.96
32x1"	25032Z0203	121.00	74.50	51.75	34.00	33.50	0.106
40X1 1/2 "	25040Z0205	137.28	96.95	60.75	41.50	41.50	0.232
50X1 1/2"	25050Z0205	153.98	111.50	68.50	51.50	51.50	0.309
50X2"	25050Z0206	156.38	112.60	68.50	51.50	51.50	0.346
63X2"	25063Z0206	190.65	134.25	82.75	64.50	64.50	0.530



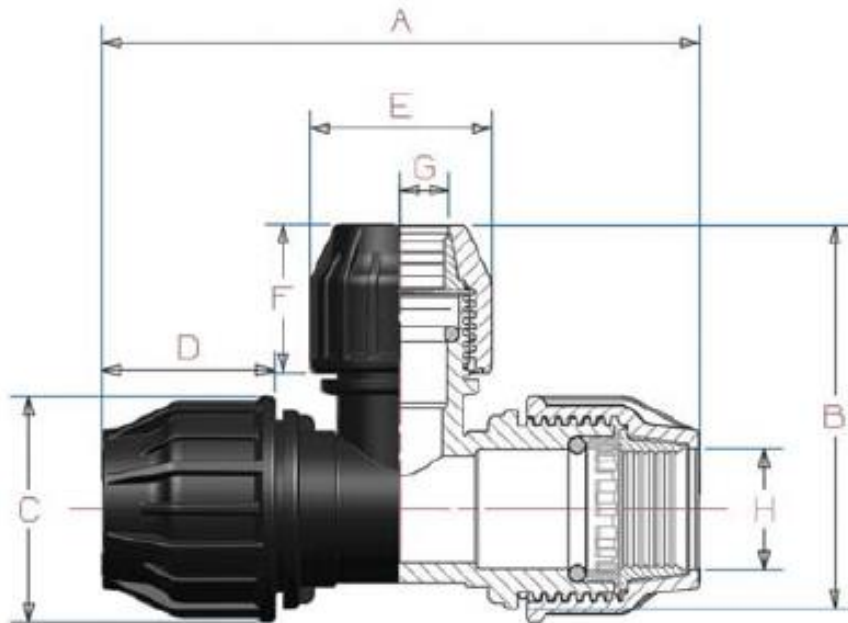
TEE



Size	Cat No	A	B	C	D	E	F	W (gr)
16X16X16	25016T0016	115.25	74.63	35.00	39.25	17.50	17.50	0.72
20X20X20	25020T0020	135.20	87.85	39.50	46.00	22.00	22.20	0.113
25X25X25	25025T0025	148.25	97.38	41.25	52.50	26.50	26.75	0.153
32X32X32	25032T0032	178.75	118.00	51.75	63.75	33.50	34.00	0.259
40X40X40	25040T0040	209.25	203.13	60.75	78.25	41.50	41.50	0.478
50X50X50	25050T0050	239.40	160.33	68.50	92.50	51.50	51.50	0.670
63X63X63	25063T0063	296.00	197.25	82.75	109.00	64.50	64.50	1.108



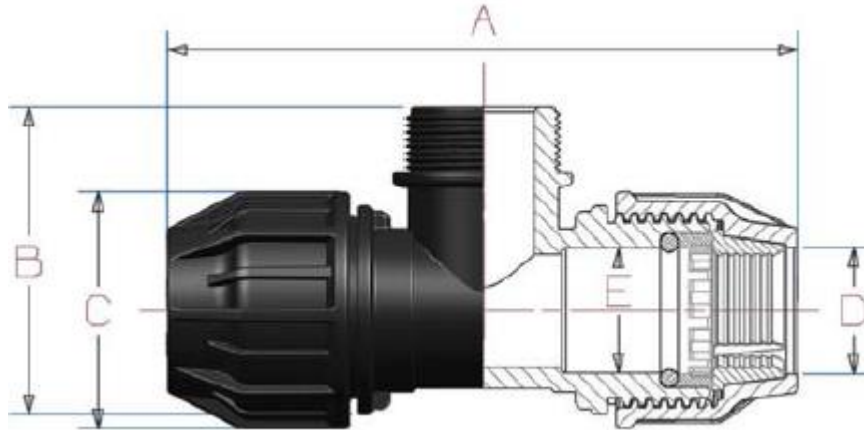
REDUCING TEE



Size	Cat No	A	B	C	D	E	F	G	H	W (gr)
20X16X20	25020T0016	135.20	81.88	46.00	39.50	39.25	35.00	17.50	22.20	0.103
25X20X25	25025T0020	148.75	98.10	52.50	40.25	46.00	39.50	22.20	26.75	0.143
32X25X32	25032T0025	178.00	104.38	63.75	51.75	52.50	41.25	26.75	34.00	0.226
40X32X40	25040T0032	208.25	135.75	78.25	60.75	63.75	51.75	34.00	41.50	0.416
50X40X50	25050T0040	238.65	150.13	78.25	60.75	78.25	60.75	41.50	41.50	0.620
63X50X63	25063T0050	295.50	182.08	109.00	82.75	78.25	60.75	41.50	64.50	0.984



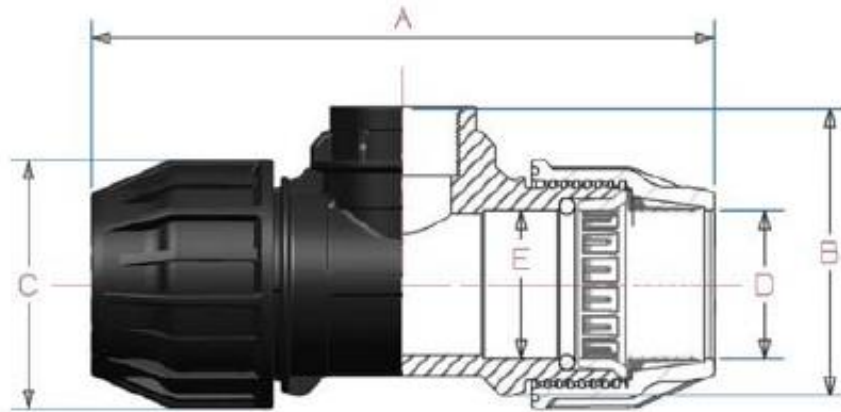
MALE THREADED TEE



Size	Cat No	A	B	C	D	E	W (gr)
20x1/2"x20	25020T0101	117.10	63.75	46.00	22.20	22.00	0.83
20x3/4"x20	25020T0102	117.10	65.75	46.00	22.20	22.00	0.77
25x1/2"x25	25025T0101	130.38	72.25	52.50	26.75	26.50	0.104
25x3/4"x24	25025T0102	130.38	72.50	52.50	26.75	26.50	0.114
32x1"x32	25032T0103	152.50	83.00	63.75	34.00	33.50	
40X1X40	25040T0103						
40x1 1/2"x40	25040T0105	179.13	110.75	78.25	41.50	42.00	
50x1 1/2"x50	25050T0105	198.58	110.75	78.25	41.50	52.75	0.486
63x2x63	25063T0106						



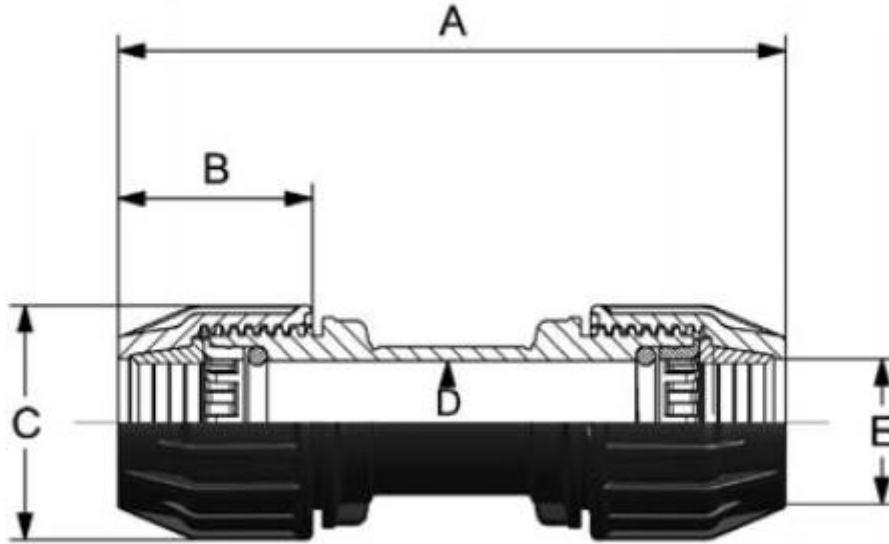
FEMALE THREADED TEE



Size	Cat No	A	B	C	D	E	W (gr)
16x1/2"x16	25016T0201	110.25	47.00	39.25	17.50	17.00	
16x3/4"x16	25016T0202	112.00	47.00	39.25	17.50	17.00	0.56
20x1/2"x20	25020T0201	132.20	54.50	46.00	22.20	21.50	0.91
20x3/4"x20	25020T0202	132.20	54.25	46.00	22.20	21.50	0.86
25x1/2"x25	25025T0201	139.25	57.75	25.50	26.75	25.75	
25x3/4"x24	25025T0202	139.25	57.75	25.50	26.75	25.75	0.98
25x1"x25	25025T0203	141.75	60.75	25.50	26.75	26.25	0.121
32x3/4"x32	25032T0202	169.50	66.75	63.75	34.00	33.50	0.196
32x1"x32	25032T0203	169.50	66.75	63.75	34.00	33.50	0.191
40x1 1/2"x40	25040T0205	209.25	100.25	78.25	41.50	42.75	0.374
50x1 1/2"x50	25050T0205	234.65	113.25	92.50	51.50	52.50	
50x2"x50	25050T0206	234.65	113.25	92.50	51.50	52.75	0.572
63x2"x63	25063T0206	281.50	122.00	109.00	64.50	66.50	0.889



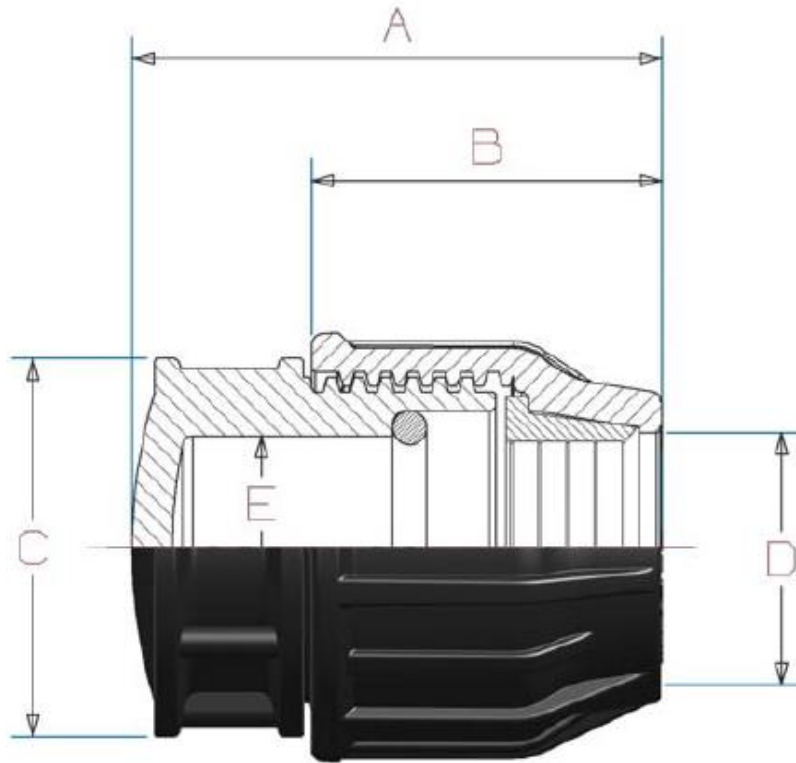
REPAIR COUPLING



Size	Cat No	A	B	C	D	E	W (gr)
25X25	25025K0025	118.50	41.25	52.50	26.50	26.75	0.98
32X32	25032K0032	178.75	51.75	63.75	33.50	34.00	0.177
40X40	25040K0040	209.25	60.75	78.25	41.50	41.50	0.323
50X50	25050K0050	239.40	68.50	92.50	51.50	51.50	0.451
63X63	25063K0063	296.00	82.75	109.00	64.50	64.50	0.724



LINE END



Size	Cat No	A	B	C	D	E	W (gr)
25	25025S0120	66.63	41.25	46.25	26.75	26.50	0.43
32	25032S0120	78.00	51.75	55.75	34.00	33.50	0.91
40	25040S0120	89.63	60.75	69.00	41.50	41.50	
50	25050S0120	104.58	68.50	80.00	51.50	51.50	0.237
63	25063S0120	125.75	82.75	98.00	64.50	64.50	0.384



PN16 250 Series Compression Fittings

Installation Instructions for Diameters 16-63 mm

1. Undo the nut up to the last thread. Do not remove the nut from the body.
Cut the pipe straight, remove burrs & chamfer the end of the pipe with a chamfering tool.
Mark the length on the PE pipe, to which the pipe must be pushed in the fitting.

*Lubricate the end pipes..



2. Push the PE pipe into the fitting, through the nut, split ring and O-ring, as far as it will go until it meets the 1st resistance. (The mark on the pipe is now just in front of the nut).



3. Firmly hand tighten the nut. For sizes of 40mm and above, use a wrench for a further half turn for final tightening.



PN16 250 Series Compression Fittings

Installation Instructions for Diameters 75-110 mm

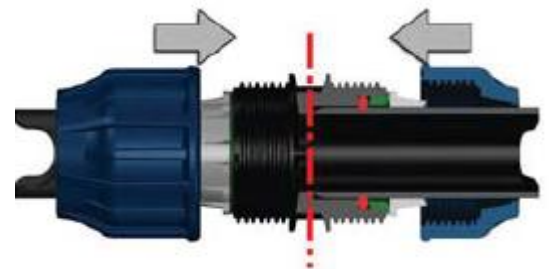
1. Cut the pipe straight, remove burrs & chamfer the end of the pipe with a chamfering tool.
Apply the nut & split ring onto the end of the pipe to a distance of about twice the pipe diameter.
Keep the O-ring and insert fixed on the body.
Assembly is made easier by lubricating pipe, O-ring & inside of fitting with silicon lubricant.



2. Insert the pipe into the fitting until it stops at the step.



3. Push nut & split ring forward until they reach the fitting.



4. Tighten the nut with Plas-fit's wrench.

Nut should be closed firmly but does not need to actually meet the body.



easy plas-fit compression fittings online orders
contact us: koby@irrigationglobal.com